

Hydrogen engine for commercial vehicles

Evolutionary development of the internal-combustion engine to achieve CO₂ neutrality



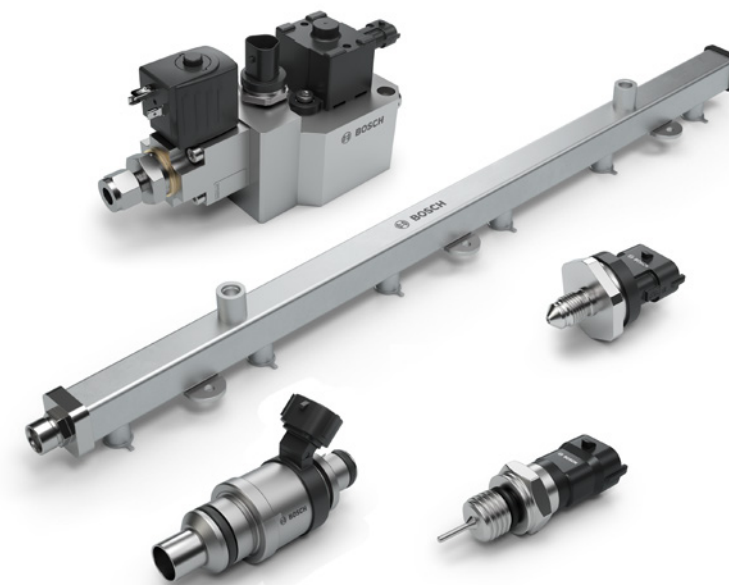
Powertrain and electrified mobility

Reduction of CO₂

as a contribution to meet the CO₂ fleet targets

Great synergy

with established diesel and natural gas vehicles



- The hydrogen engine represents a further option in the powertrain mix of the future
- The hydrogen engine offers synergies with the familiar diesel and natural gas engine
- The basic structure of the fuel, air, and exhaust system can be adopted with numerous established system components
- As a system provider, Bosch not only offers fuel injection systems but also products for the supply and storage of hydrogen, for engine and air management, as well as for exhaust-gas treatment
- High level of robustness in demanding environmental conditions